

# KAMPANJ

JAN-MARS 2021



Kampanjen gäller t.o.m. 31 mars 2021  
med reservation för ev. slutförsäljning.  
Alla priser exkl. moms.

# ...OR SOMETHING NEW?

## 1/4" Drive Newton Meter Adjustable Click-Type Fixed Ratchet Torque Wrench (5–25 N•m)

QD1RN25A

 1995 kr



## 3/8" Drive Newton Meter Adjustable Click-Type Fixed Ratchet Torque Wrench (5–25 N•m)

QD2RN25A

 1995 kr



## 2 pc Flank Drive® Plus Adjustable Wrench Set

FADH702A

 1165 kr

- Elastomer handle surface is soft, yet provides a nonslip gripping surface even for greasy and oily hands
- Cushion handle insulates against cold temperature
- Quick reference SAE and metric sizing
- Sized for optimum balance and comfort



## 6 pc Starter Punch Set

PPCS60BK

- 6 pc in KB2185 kit bag

 999 kr



## Heavy-Duty 48-Ounce Hand Drilling Hickory Hammer

BH133B

- The short handle length is convenient for working with hand drilling bits, cold chisels, or brick chisels

 349 kr





# ASK FOR A PLIER DEMO...

## 3 pc Precision Pliers Set

PLP300A  
PLP300AG  
PLP300AO

 1499 kr

### PLP300A/PLP300AG/PLP300AO .... ULTIMATE PRECISION PLIERS !

- P-Series pliers are made of ball-bearing grade steel allowing greater resiliency, toughness and ability to withstand greater impact
- Cutting edge geometry strikes a balance between sturdiness and sharpness resulting in clean cuts that can last for as long as 200,000 cycles
- Heat treated frame provides exceptional tool life
- Hot forged technology aligns grain structure of proprietary alloyed steel to follow the profile of the shanks giving the pliers extraordinary tenacity and toughness

**AVAILABLE IN RED,  
GREEN & ORANGE!**



**AVAILABLE IN  
GREEN & ORANGE!**

## 8" Talon Grip™ Long Nose Pliers with Cutter

196ACFG  
196ACFO

 330 kr

### 196ACFG/196ACFO .... LONG NOSE PLIERS WITH CUTTER!

- Jaw tips are perfectly aligned and feature machined teeth for precise gripping strength with positive control
- Rounded jaw edges minimize nicks to wire when making loops or bends
- Talon Grip™ Long Nose Pliers provide up to 57% increase in pulling power with a relocated joint, optimized handle shape and diamond serrated jaws
- Teeth are machined and hardened, not stamped, so they are sharp and strong like file teeth
- Ramped tips for better accessibility—26% stronger jaw tips

## 4 pc Snap Ring Pliers Set

SRP400B

 1395 kr

- Includes SRP1CF, SRP2CF, SRP3CF and SRP5B Snap Ring Pliers in a storage tray



# ... AND SEE FOR YOURSELF !

## 7-7/8" High Leverage Combination Pliers

HL138ACPG  
HL138ACPO

 499 kr

- Reduces effort for cutting and gripping by up to 75%
- 1-1/16" jaw opening

**AVAILABLE IN  
GREEN & ORANGE!**



## 9" Wire Stripper/Cutter/Crimper/Bolt Cutter

PWCS9CF  
PWCS9CFG  
PWCS9CFO

 349 kr

**AVAILABLE IN RED,  
GREEN & ORANGE!**



### PWCS9CF/PWCS9CFG/PWCS9CFO... WIRE STRIPPER/CUTTER

- Cold forged from special alloy steel and induction heat treated for superior performance and durability
- Pliers tip for grabbing or pulling wire
- Crimps both insulated and non-insulated terminals
- Includes shears in throat area for general cutting applications
- Cushion grips provide comfort, control and power
- Cuts #6 and #8 soft bolts



## 7 pc Vinyl Grip Pliers and Cutters Set

BDGCPL700

 599 kr

- Set includes: BDG48CP 8" Slip Joint Pliers, BDG88CP 8-1/8" Diagonal Cutters and BDG98CP 8" Needle Nose Pliers, plus (3) Miniature Pliers and (1) Cutter to cover a large range of jobs
- Laser-hardened cutting edges provide uniform hardness for consistent cutting and edge life
- Nickel-chrome alloy finish resists rust and corrosion
- BDG98CP Needle Nose Pliers features a fastener-turning jaw and cutter



# DO IT PROPERLY !

## Belt Sander Kit

AT615K

 3499 kr

- Includes belt sander, (3) 18 x 3/8" sanding belts (60-, 80-, 120-grit), (3) 18 x 1/2" sanding belts (60-, 80-, 120-grit) and (3) 18 x 3/4" sanding belts (60-, 80-, 120-grit)

 Blue-Point™



## Air Powered Shears

AT195

 1465 kr

- Pistol grip handle for comfort and accessibility
- Handle exhaust is directed away from the operator
- Ball bearing-mounted rotary air motor for long service
- Lightweight aluminum housing is durable and helps to reduce fatigue
- Built-in speed regulator provides torque control
- Variable-speed trigger for maximum control
- Removable brass filter captures dirt and grit that could clog and damage the impact mechanism
- Replacement blades: Left blade (AT195-37), center blade (AT195-39B) and right blade (AT195-40B)

 Blue-Point™



## Nibbler

AT180C

 1465 kr

- Cuts mild steel sheet up to 16-gauge (0.62") (1.55 mm)
- Anvil is adjustable for forward, backward, and left or right cutting
- Readily cuts most non-ferrous materials including aluminum, brass, formica, laminates, fiberglass and masonite
- Replacement Pouch: AT180C-38

 Blue-Point™



## High-Speed Reciprocating Saw

AT192A

 1315 kr

- Adjustable blade guard controls cutting depth
- Teflon®-coated piston for smooth operation and durability
- Features a comfort grip handle with a safety lever throttle
- Includes saw and (3) blades (18, 24 and 32 TPI)
- Performs straight or scroll cuts in metal and plastic
- Comfort grip housing for greater control
- Optional 4" long blades are also available

 Blue-Point™



# THE GRIND, REDEFINED !

## Standard Air Die Grinder

AT115

 999 kr

- Intended for most standard deburring operations
- Ergonomic handle grip increases comfort and control
- Safety lever throttle





## 90° Angle Mini Air Die Grinder

AT118

 1165 kr

- Cleans dies, rotors, backing plates and brake pad mounts
- Removes gasket material, grinds valve seats, dresses welds and enlarges holes
- Compact, mini design with 90° angled head for easy access





## Mini Angle Air Die Grinder

AT116

 1165 kr

- 115° offset head provides a more ergonomic grinding position
- 1/4" collet
- Compact size is ideal for accessing tough-to-reach areas





## Mini Angle Air Die Grinder

AT119

 1165 kr

- 115° offset head provides a more ergonomic grinding position
- Thread-on-style disc provides a more compact head
- One 2" quick-change disc included so the tool is ready for the abrasive pad





## Extended-Length Mini Air Die Grinder

AT120L

- Extended reach of 4.5" to gain access into limited work spaces
- Comfort grip reduces fatigue
- Built-in speed regulator matches tool speed to the job





 1370 kr

## Right-Angle Extended-Length Mini Air Die Grinder

AT120LRA

- Built-in speed regulator matches tool speed to the job
- Comfort grip reduces fatigue
- Safety throttle-release the lever and the tool turns off

 1490 kr





## Cutting Oil

CL6

- Superior anti-weld and lubricating properties reduce heat buildup in drill bits, grinding burrs and other metal cutting tools
- 1 pt bottle



 79 kr

# SCREW-IT !

## 1/4" Hex Drive Dual 80® Technology Hard Grip Round Swivel Head Bit Driver Ratchet Red

THNFD72R

 1199 kr



- Magnetic bit retention for 1/4" hex bits
- Ratchet head swivels 260° to get into tight work areas and can be used as a ratcheting screwdriver
- Slim round head perfect for the tightest of space constraints

## 8-3/4" Ratcheting Standard Screwdriver Dark Blue

SSDMR4BB

 445 kr

- Includes SDM211B (3/16") and SDM213B (9/32") Flat Tip bits plus SDM221IRB (#1), SDM222IRB (#2) and SDM223IRB (#3) Phillips® ACR® bits.



## 8-3/4" Ratcheting Standard Screwdriver Green

SSDMR4BCG



**BUY THESE...** SPECIAL PRICE

## 6 pc Combination Instinct® Soft Grip Screwdriver Set/Rave XL Knife

SGDX60BR71KR

 1299 kr

**GET THIS FREE!**

SGDX60BR



SEK71MMKR

**BUY THESE...** SPECIAL PRICE

## 3 pc Wire Service Pliers Set

**BUY THESE...** SPECIAL PRICE

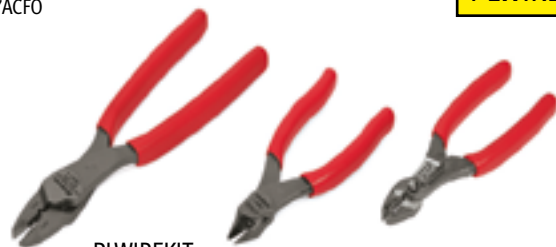
PLWIRESGLO

- The Wire Cutter and Crimper are positioned in front of pivot for maximum ease-of-use when reaching into tight places
- An additional cutter located on inner handle of the Wire Cutter and Crimper
- Includes 786CFO, 29ACFO and PWCS7ACFO

PLWIRESGLR



PLWIREKITO



PLWIREKIT

**GET THESE FREE!**

 1575 kr

**GET THESE FREE!**



SGLASA204CO

**AVAILABLE IN  
ORANGE & RED**



SGLASA204CR

# CHECK IT ...AND FILL-IT !

## Cooling System Vacuum/ Filler

RADKITPLUSA

 1539 kr

- Easily eliminates cooling system air locks that can cause overheating
- Uses shop air to pressure test large volumes safely and quickly with a 15 PSI maximum pressure release valve
- Gauge protector helps prevent damage to gauge housing
- Vacuum generator plus large internal passageways produce an industry leading coolant retention rate in excess of 12 CFM
- Switch from coolant retention to pressure testing with the turn of a valve handle
- Requires a 90 PSI (4.2 CFM) air supply



## Vacuum Cooling System Refiller

RADKITPLUSJR

 1225 kr

- Reduces system filling time, eliminates air locks and checks for system leaks
- Compact size allows access in restricted underhood areas
- Cone adaptor ensures the unit will work on most US and import passenger vehicles and light trucks
- Push-button control valve eliminates the need to interchange hoses
- Shop air (90 PSI) quickly draws a powerful vacuum
- Eliminates system bleeding and purging



## Red Magna Panel Tray 12x6

KAMPT12X6R

 399 kr

## Combat Tan 6 pc Racks Trays

KAERNX6CT

 700 kr



## Combat Green 6 pc Racks Trays

KAERNX6CG





# ANY TIGHT AWKWARD JOB ?

## 1/4" Drive Mini Air Ratchet

FAR2500

 2195 kr

- Balanced, lightweight housing for superior comfort and control with less user fatigue
- Soft grip handle provides increased comfort while reducing vibration and insulating from the cold
- Large forward/reverse knob makes it easy to switch directions, even with greasy hands



## 12 pc 1/4" Drive 6-Point Flank Drive® Semi-Deep Metric Socket Set (5–15 mm)

112TMMSY

- TMMS5–TMMS15 (5–15 mm, including 5.5 mm)

 1390 kr



## 6 pc 1/4" Drive Knurled Extension Foam Set

106BTMXFR

 899 kr

- Designed for maximum tool concentration on smallest possible footprint
- Modular foam trays can be reconfigured in-drawer to accommodate new tools sets
- Flexible and expandable as tool collection evolves
- Closed cell cross-linked foam for superior performance and durability resists oils, solvents and fuels - easy to clean



## 1/4" Drive Dual 80® Technology Standard Handle Locking Flex-Head Ratchet

TRX72

 895 kr

- Flex-head design gives exceptional versatility and offers eleven locking positions for convenient access to work
- Quick-release button for rapid socket and accessory changes, even with greasy or oily hands
- Dual 80® Technology features seven teeth engaging the gear for added strength and durability
- Dual 80® Technology features a 72 tooth gear to provide 5° of swing arc



## Ratcheting T-Handle Driver (Black)

TMRT8

 599 kr



# THE RIGHT TOOL FOR THE RIGHT JOB !

## Radiator Hose Pick Set (Red)

SGA102BR

**5** 499 kr

- Removes radiator hoses from clamps and fittings
- Thin, wide blade style significantly reduces chance of puncturing and damaging hoses
- Long blade faces back towards handle so the hose can be "pulled" off
- Shorter blade pushes away from handle so the hose would be "pushed" off



## Combustion Leak Tester

GDCT16

**5** 599 kr

- Provides an easy and quick way to diagnose engine overheating problems
- Checks for leaks between the combustion chamber and the cooling system
- Tests head and gasket for combustion leaks before removing the radiator



## Digital Rotor Gauge

RG430A

**5** 995 kr

- Measures brake rotors and ball joints
- Pointed anvil and 3-1/2" long arms for increased measurement accuracy and coverage
- Selectable depth stops for easy use



## Refrigerant Gas Heated Sensor Leak Detector

ACT825

**5** 3150 kr

- SAE certified electronic leak detector with color LCD display
- Displays the relative magnitude of leaks detected
- Displays unit readiness: wait, ready or interference
- Low, medium and high sensitivity with visual indication



## 10 pc Mini Tool Set

SGMINI10BO  
SGMINI10BR

**5** 899 kr

**AVAILABLE IN  
ORANGE & RED**



# 3/8" EVERYDAY !

## 3/8" Drive Mini Air Ratchet (Black/ Red)

FAR2505

 2220 kr



- Balanced lightweight housing for superior comfort and control with less user fatigue
- Soft grip handle provides increased comfort while reducing vibration and insulating from the cold
- Large forward/reverse knob makes it easy to switch directions even with greasy hands

## 12 pc 3/8" Drive 6-Point Metric Flank Drive® Shallow Socket Set (8-19 mm)

212FSMY

- Includes 8–19 mm
- Includes magnetic storage tray

 1195 kr



## 15 pc 3/8" Drive 6-Point Metric Flank Drive® Xtra Shallow Socket Set

215YFSMY

- The Flank Drive® Xtra wrenching system grips fasteners with the angled contour of the socket wall—delivering higher strength, and up to 50% more turning power on damaged fasteners
- Optimally grooved wall eases socket removal and incorporates large identification marking

 2195 kr

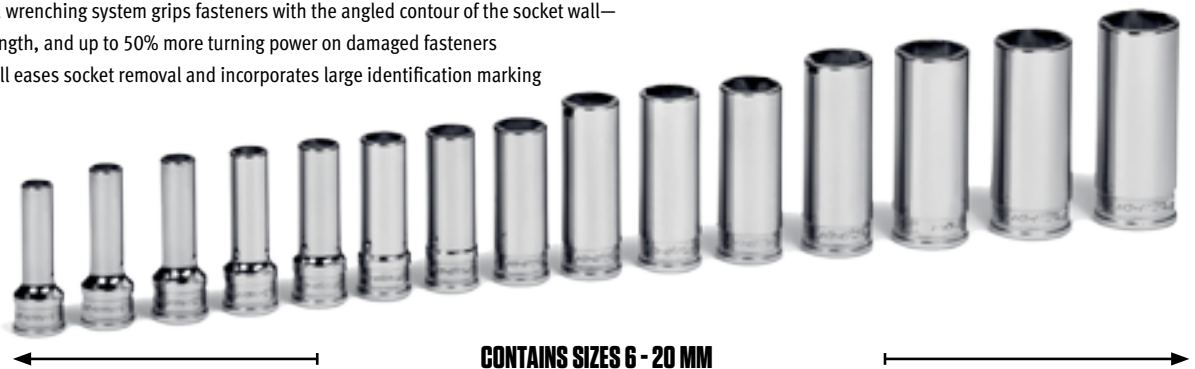


## 15 pc 3/8" Drive 6-Point Metric Flank Drive® Xtra Deep Socket Set

215YSFSMY

- The Flank Drive® Xtra wrenching system grips fasteners with the angled contour of the socket wall—delivering higher strength, and up to 50% more turning power on damaged fasteners
- Optimally grooved wall eases socket removal and incorporates large identification marking

 3295 kr



## 6 pc 3/8" Drive Knurled Extension Foam Set

206AFXFMBR

 1295 kr

- Designed for maximum tool concentration on smallest possible footprint
- Modular foam trays can be reconfigured in-drawer to accommodate new tools sets
- Dice cut angle for nesting additional sets
- Flexible and expandable as tool collection evolves



# 3/8" EVERYWHERE !

## 3/8" Drive Dual 80® Technology Hard Grip Long Handle Ratchets



## 3/8" Drive Dual 80® Technology Soft Grip Standard Handle Bent Flex-Head Ratchet



## 3/8" Drive Dual 80® Technology Extra Long Handle Ratchet



## 3/8" Drive Dual 80® Technology Soft Grip Extra-Long Handle Ratchet



## 3/8" Drive 100-Tooth Round Swivel Head Ratchet



# JUST DO IT ...RIGHT!

## 13 pc 1/2" Drive 6-Point Metric Flank Drive® Deep Socket Set (12-24 mm)

313TSMYA

- Includes 12–24 mm
- The Flank Drive® system grips the fastener flats and provides up to 15-20% more turning power

 2990 kr



## 1/2" Drive 17-1/4" Flex-Head Speeder Drive Handle

SN4B

UNIQUE TO SNAP-ON!  
2 TOOLS IN 1  
BREAKER BAR AND SPEEDER

 999 Kr



## 5 pc 1/2" Drive Wobble Extension Set

305ASXW

- Includes (5 pc) (2", 3-1/2", 5", 8" and 11")
- Includes storage tray

 1190 kr



## 10 pc 1/2" Drive 6-Point Metric Flank Drive® Deep Impact Socket Set

310SIMMADDON

- Includes (10 pc) SIMM250–SIMM270, SIMM290, SIMM300, SIMM320–SIMM360 (25–27 mm, 29 mm, 30 mm, 32–36 mm)
- Includes storage tray

 2999 kr



# TURN THEM ON AND OFF EASILY !

## 12 pc 12-Point Metric Combination Wrench Set (8–19 mm)

BLPCWSM712B

 1399 kr

- Covers the full range of metric sizes from 8–19 mm
- High-quality, chrome plating looks great and provides a durable, easy-to-clean finish
- 15° offset box-head for knuckle clearance and increased access in tight spaces



## 12 pc 12-Point Metric Midget 15° Offset BoxFlex-Head Ratcheting Combination Wrench Set (8-19 mm)

BOERMSF712

 1799 kr

- Includes (12 pc) (8-19 mm)
- Includes storage tray



## 10 pc 12-Point Metric Flank Drive® Long Combination Wrench Set (10-19 mm)

OEXLM710B

 3290 kr

- Sized for optimum comfort and balance in your hand
- Set contains (10) wrenches 10-19 mm in a storage tray



## 7 pc 12-Point Metric Short Ratcheting Combination Wrench Set (8-14 mm)

OXIRM707

 1415 kr

- Zero-degree offset unidirectional gear and up to 80 gear teeth
- The Flank Drive® system grips the fastener flats and provides up to 15-20% more turning power
- Sized for optimum comfort and balance in your hand



## 6 pc 12-Point Metric 25° Offset Reversible Standard Ratcheting Box Wrench Set

BXORM706

 1890 kr

- Includes (6 pc) (8-19 mm)
- Includes storage tray



# WORKSHOP ESSENTIALS !

## Boot Banding Tool

YA3085

 149 kr

- For reinstallation of BAND-IT® or BAND-IT Jr.® boot bands



## Hobby Knife

YA405A

 95 kr

- 5-1/2" long aluminum handle with bottom knurl and knurled brass nose cap
- Includes the following blades: YA405-1, YA405-2, YA405-3, YA405-4



## HI-FLO Venturi Tip Blow Gun

AT4190  
AT4190G  
AT41900

 499 kr

**AVAILABLE IN RED,  
GREEN & ORANGE!**



- Large diameter venturi nozzle draws in ambient air and increases output volume by 100%
- Nozzle delivers up to 21 CFM
- Ideal for heavy-duty chip and debris removal



Kampanjen gäller t.o.m. 31 mars 2021  
med reservation för ev. slutförsäljning.  
Alla priser exkl. moms.

## SNAP-ON COLOUR SHIFTING ROLL CABS ARE HERE

2BK RC Volcanic Wrap w/BLT

BOX2019NOV1



2BK RC Psychedelic Wrap w/BLT

BOX2019NOV2



**HEAVY DUTY - BEDLINER TOP**

2BK RC Deep Space Wrap w/BLT

BOX2019NOV3



**SIZE: W140cm x H99cm x D61cm**

ÅTERFÖRSÄLJARE

**Bullingens  
Maskin & Verktyg**

070-797 60 00

stefan.fossum@gmail.com

